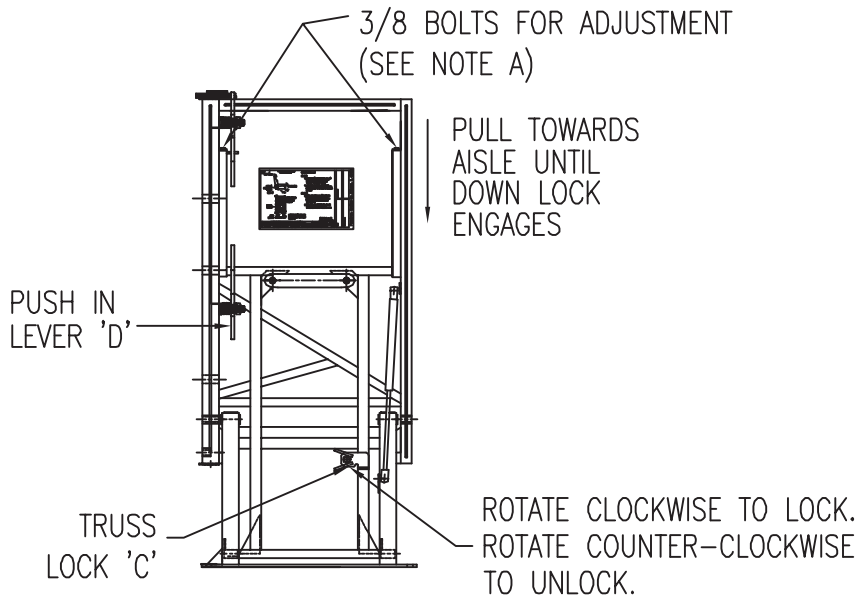
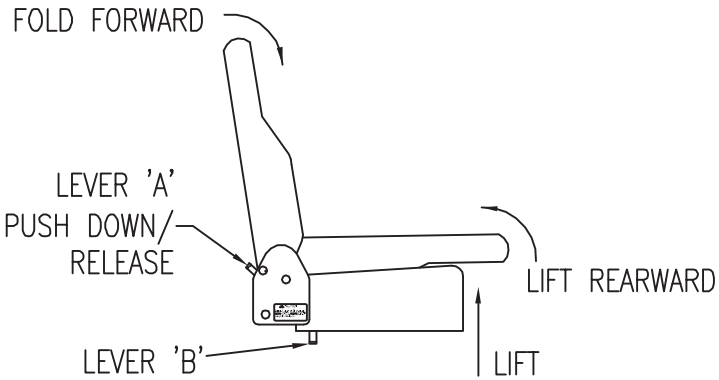


56412

NOT TO BE USED, DISCLOSED OR REPRODUCED WITHOUT PERMISSION.
PROPERTY OF THE FREEDMAN SEATING COMPANY.



FOLDWAY INSTRUCTIONS: FSC Foldaway™
U. S. Pat. No. 5,492,389
TO RAISE:

- 1) PUSH LEVER 'A' DOWNWARD AND FOLD THE BACK CUSHION DOWN AGAINST THE SEAT CUSHION UNTIL LEVER HAS SNAPPED BACK INTO THE LOCKED POSITION.
- 2) PUSH LEVER 'B' UPWARD AND LIFT THE SEAT INTO THE FOLDWAY POSITION. ROTATE THE TRUSS LOCK 'C' TO LOCK THE ASSEMBLY IN PLACE.

△ NOTE A:

IF CITISEAT, PUSH LEVER 'A' UPWARD AND PROCEED WITH INSTRUCTIONS.

TO LOWER:

- 1) ROTATE THE TRUSS LOCK 'C' TO UNLOCK THE ASSEMBLY, THEN PUSH LEVER 'D' AND PULL THE TOP OF THE SEAT TOWARD THE AISLE UNTIL IT IS LOCKED IN THE DOWN POSITION.
- 2) PUSH LEVER 'A' DOWNWARD AND LIFT THE BACK CUSHION UNTIL LEVER 'A' HAS SNAPPED BACK INTO THE LOCKED POSITION.

NOTE B:

IF SEAT DOES NOT LOCK IN PLACE OR THERE IS SIGNIFICANT PLAY, ADJUST THE (2) 3/8-16 BOLTS AT THE END OF THE TRUSS RUNNERS.

INSPECTED BY:

DATE:

ORDER NUMBER:

Freedman Seating Co. Chicago, IL 60651
www.freedmanseating.com

				Tolerance Unless Otherwise Specified				Material:		Freedman Seating Co. 4545 W. Augusta Chicago, IL 60651	
				FRAC. 1/8 ±1/32				Specifications:		Part Name INSTRUCTIONS, FSC FOLDAWAY	
				DECIMAL .XX ±0.02"				Drawn by:sv		Date: 08/30/04	
				ANGULAR ±1°				DO NOT SCALE DRAWING		Drawing No. 56412	
										Rev. B	
Rev. Level	Description of Change	By	Date	ECN #	Rev. Level	Description of Change	By	Date	ECN #		
					B	ADDED NOTE	JL	11/15	5059		
					A	WAS 31099	SV	9/04	4001		