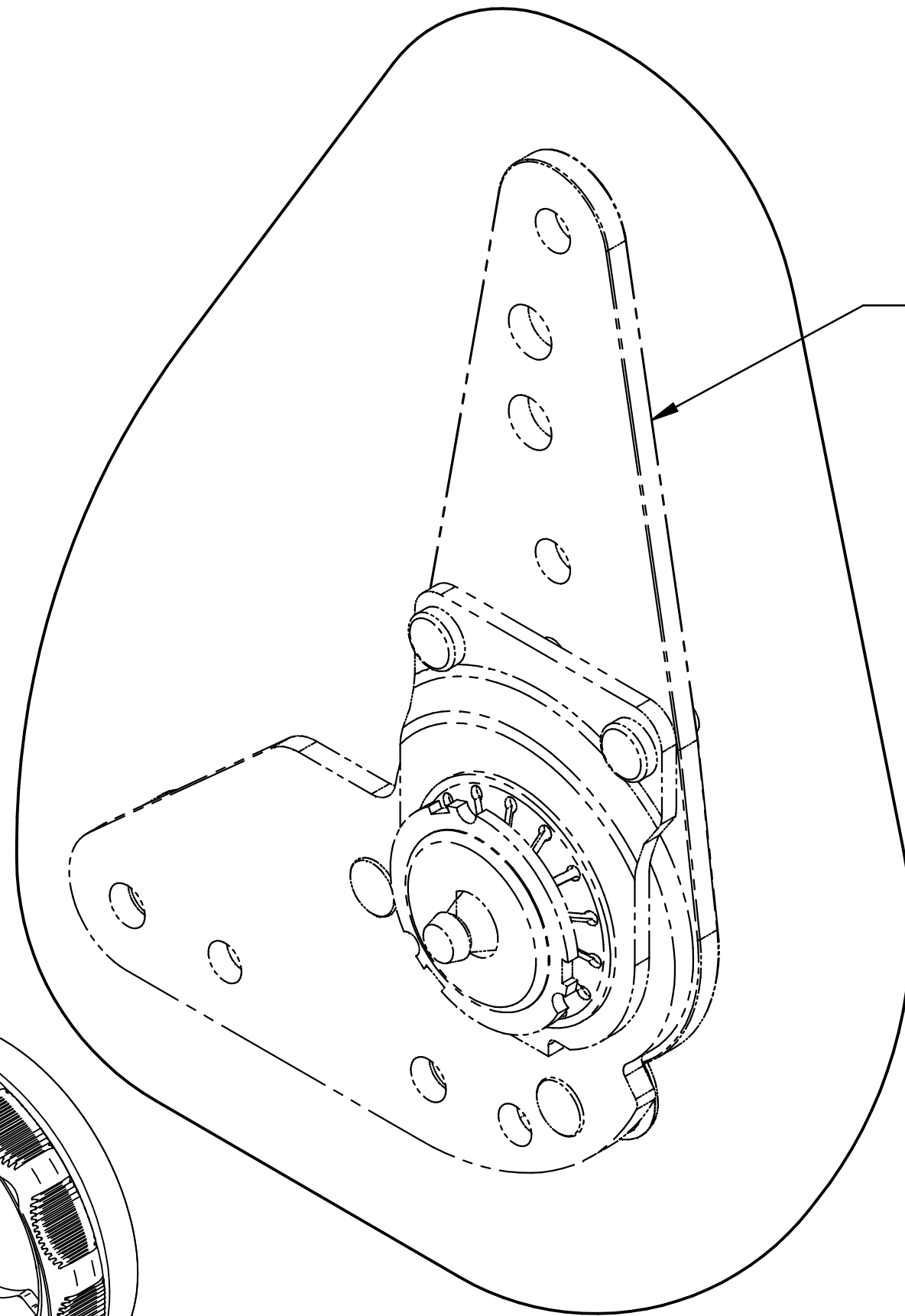
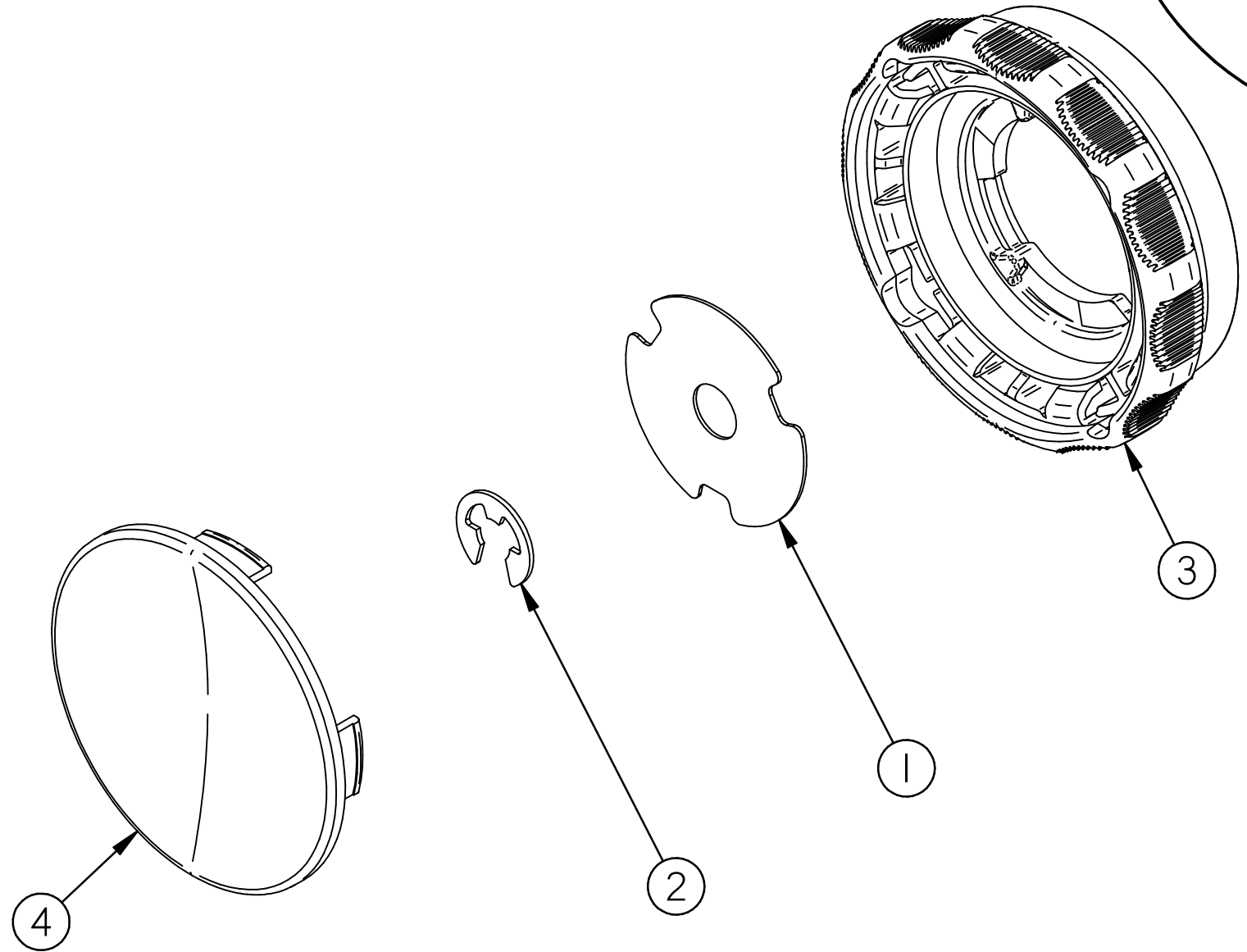


REV.	DATE	ECN	DESCRIPTION	BY	CHKD.	APPD.
A	10/12/22	9351	RELEASE TO PRODUCTION	RW	BC	VB


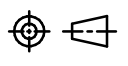


RECLINER MECHANISM
SHOWN FOR REFERENCE ONLY



4	1	106084	CAP, BLACK, TAUMEL HANDLE
3	1	106083	HANDWHELL, BLACK, TAUMEL
2	1	160006	RETAINING,RING,3/8"OD,0.303"DIA,YZ
1	1	107913-1X	DISC, RETROFIT, TAUMEL
ITEM	QTY	PART #	DESCRIPTION

DRAWING NAME:
KIT, KNOB, RETROFIT, TAUMEL

MATERIAL:	 Freedman Seating Co. 4545 W. Augusta Blvd Chicago, IL 60651	PROJECTION
SPECIFICATION:		
Authorization:	REF:	SUPERSEDES
By: RobertWerley	DATE: 10/11/2022	CHECKED
SIZE: C	DRAWING No. 107914-X	APPROVED
SCALE: NOT TO SCALE	B/M	CODE
	ISSUE DATE	SHEET: 1 of 1

Tolerances Unless Otherwise Specified:
 Fraction: 1/XX +/- 1/32"
 Decimal: XXX +/- 0.02"
 XXXX +/- 0.005"
 Angular +/- 1 Degree
 Unspecified Radii are 1/8"

NOT TO BE USED, DISCLOSED OR REPRODUCED WITHOUT PERMISSION.
 PROPERTY OF FREEDMAN SEATING COMPANY.

REV. **A**